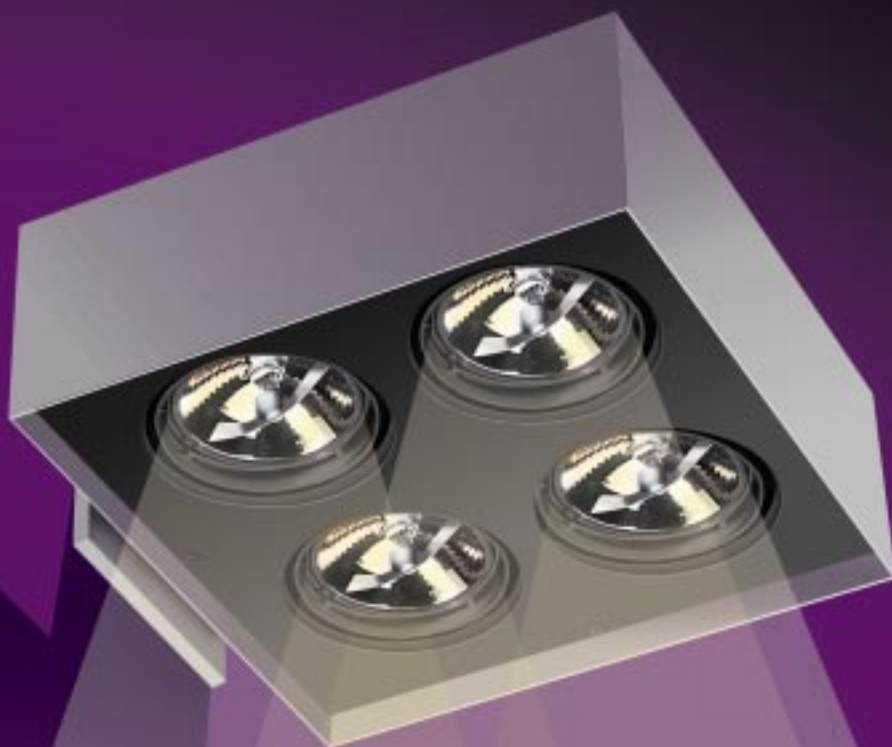


**Modular Multiples<sup>®</sup>**

**Surface**  
Architectural Basics



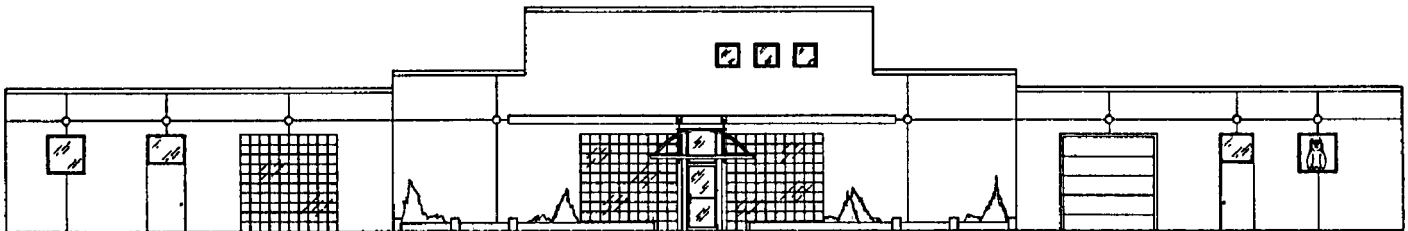
## Modular Multiples® - Surface Architectural Basics

Modular's Surface Basics are just the right companions for our recessed Multiples® products and for our Linears™ program. These solid sided geometric square and rectangular fixtures handsomely pair with all Multiples® Recessed low voltage and line voltage models. The extruded aluminum fixtures in our Surface Basics program may be wall or ceiling mounted, and are easily customized to conform to the unbroken, seamless lengths of the Linears™ system. Their basic architectural profile is reassuring, hard-working, and precise.

Architectural Basics transformers and gear are integral. The height of the profile may be reduced by remotely locating gear and transformers.

Please watch for an exciting new family we call Layered Multiples®. They will be available shortly.

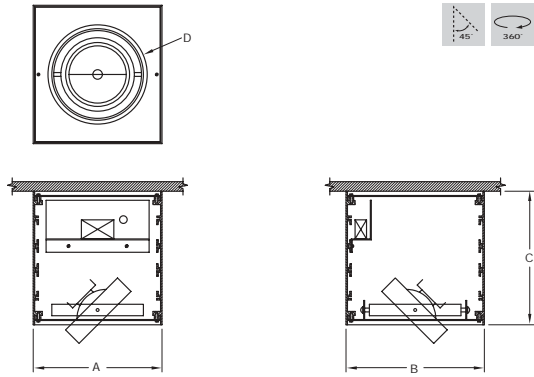
## Modular International Inc.



### Preliminary Information

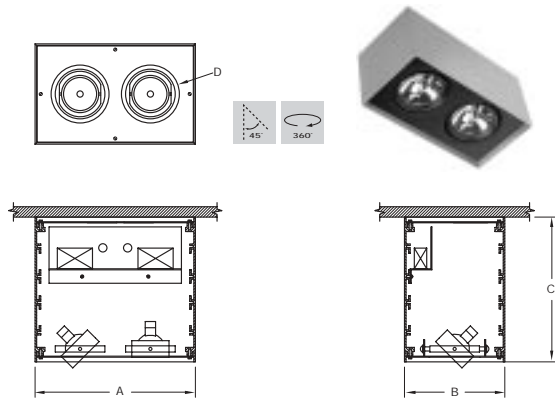
The specifications and dimensions of the Surface Multiples®-Architectural Basic Series are subject to change without notice.

**One Lamp AR111 TI Surface Mounted**



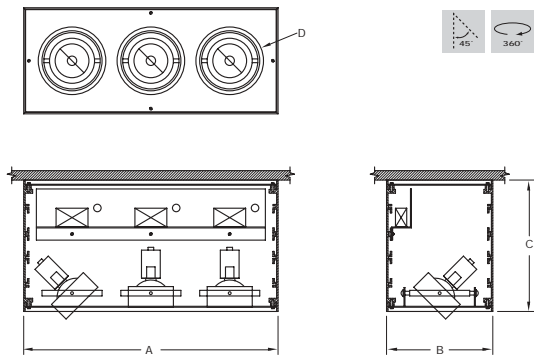
Model	Lamp	A	B	C	D
MS1B1-TI-SQ-TL	MR16	5-3/8" 137mm	6-1/16" 154mm	8-3/4" 222mm	3-1/2" 89mm
MS1C1-TI-SQ-TL	AR70	6-7/16" 163mm	7-1/16" 179mm	8-3/4" 222mm	4-1/2" 114mm
MS1D1-TI-SQ-TL	AR111	8-7/16" 214mm	9-1/16" 230mm	8-3/4" 222mm	6-1/2" 165mm

**Two Lamp MR16 TI Surface Mounted**



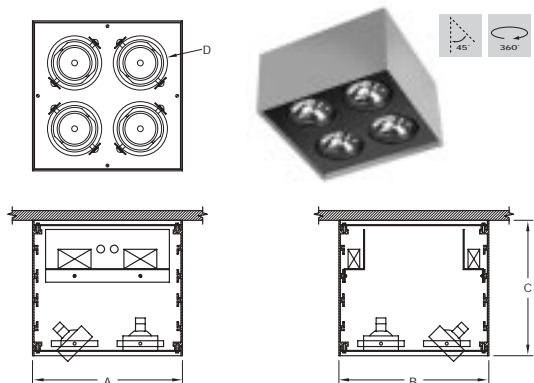
Model	Lamp	A	B	C	D
MS2B1-TI-REC-TL	MR16	9-11/16" 246mm	6-1/16" 154mm	8-3/4" 222mm	3-1/2" 89mm
MS2C1-TI-REC-TL	AR70	11-11/16" 297mm	7-1/16" 179mm	8-3/4" 222mm	4-1/2" 114mm
MS2D1-TI-REC-TL	AR111	15-11/16" 398mm	9-1/16" 230mm	8-3/4" 222mm	6-1/2" 165mm

**Three Lamp AR70 TI Surface Mounted**



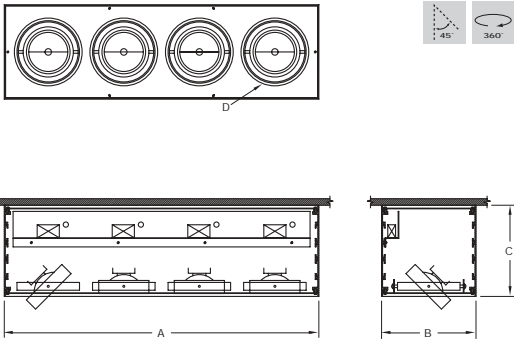
Model	Lamp	A	B	C	D
MS3B1-TI-REC-TL	MR16	13-15/16" 354mm	6-1/16" 154mm	8-3/4" 222mm	3-1/2" 89mm
MS3C1-TI-REC-TL	AR70	16-15/16" 430mm	7-1/16" 179mm	8-3/4" 222mm	4-1/2" 114mm
MS3D1-TI-REC-TL	AR111	22-15/16" 583mm	9-1/16" 230mm	8-3/4" 222mm	6 1/2" 165mm

**Four Square Lamp MR16 TI Surface Mounted**



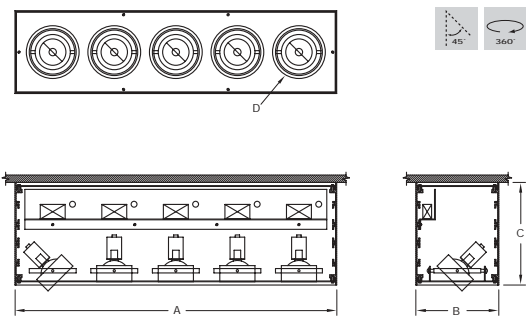
Model	Lamp	A	B	C	D
MS4B1-TI-SQ-TL	MR16	9-11/16" 246mm	9-11/16" 246mm	8-3/4" 222mm	3-1/2" 89mm
MS4C1-TI-SQ-TL	AR70	11-11/16" 297mm	11-11/16" 297mm	8-3/4" 222mm	4-1/2" 114mm
MS4D1-TI-SQ-TL	AR111	15-11/16" 398mm	15-11/16" 398mm	8-3/4" 222mm	6-1/2" 165mm

Four Lamp AR111 TI Surface Mounted



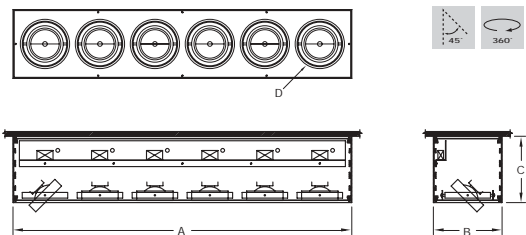
Model	Lamp	A	B	C	D
MS4B1-TI-REC-TL	MR16	18-3/16" 462mm	6-1/16" 154mm	8-3/4" 222mm	3-1/2" 89mm
MS4C1-TI-REC-TL	AR70	22-3/16" 564mm	7-1/16" 179mm	8-3/4" 222mm	4-1/2" 114mm
MS4D1-TI-REC-TL	AR111	30-3/16" 767mm	9-1/16" 230mm	8-3/4" 222mm	6-1/2" 165mm

Five Lamp AR70 TI Surface Mounted



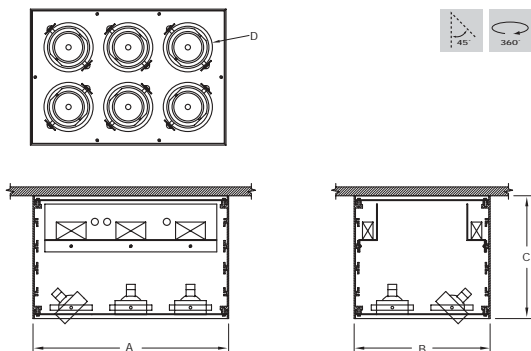
Model	Lamp	A	B	C	D
MS5B1-TI-REC-TL	MR16	22-7/16" 570mm	6-1/16" 154mm	8-3/4" 222mm	3-1/2" 89mm
MS5C1-TI-REC-TL	AR70	27-7/16" 698mm	7-1/16" 179mm	8-3/4" 222mm	4-1/2" 114mm
MS5D1-TI-REC-TL	AR111	37-7/16" 951mm	9-1/16" 230mm	8-3/4" 222mm	6-1/2" 165mm

Six Lamp AR111 TI Surface Mounted



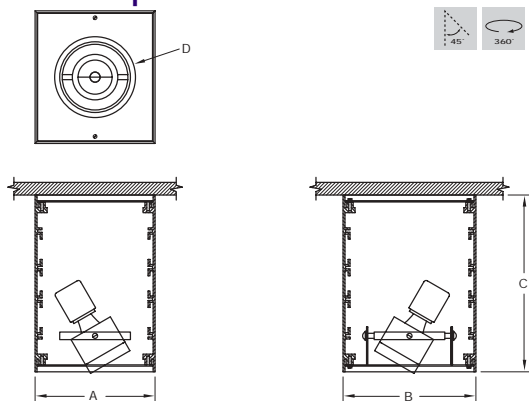
Model	Lamp	A	B	C	D
MS6B1-TI-REC-TL	MR16	26-11/16" 678mm	6-1/16" 154mm	8-3/4" 222mm	3-1/2" 89mm
MS6C1-TI-REC-TL	AR70	32-11/16" 830mm	7-1/16" 179mm	8-3/4" 222mm	4-1/2" 114mm
MS6D1-TI-REC-TL	AR111	44-11/16" 1135mm	9-1/16" 230mm	8-3/4" 222mm	6-1/2" 165mm

Six Lamp Square MR16 TI Surface Mounted



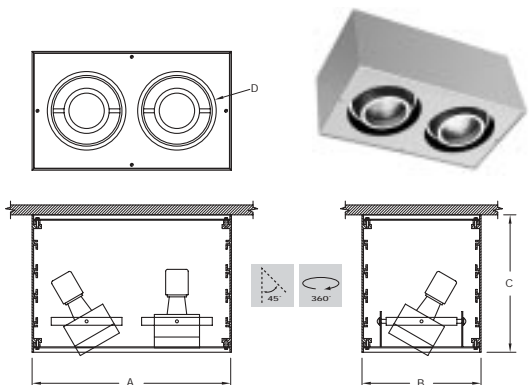
Model	Lamp	A	B	C	D
MS6B1-TI-RSQ-TL	MR16	13-15/16" 354mm	9-11/16" 246mm	8-3/4" 222mm	3-1/2" 89mm
MS6C1-TI-RSQ-TL	AR70	16-15/16" 430mm	11-11/16" 297mm	8-3/4" 222mm	4-1/2" 114mm
MS6D1-TI-RSQ-TL	AR111	22-15/16" 583mm	22-15/16" 583mm	8-3/4" 222mm	6-1/2" 165mm

**One Lamp PAR16 PV Surface Mounted**



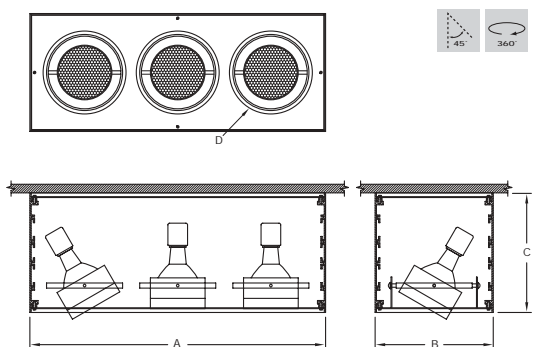
Model	Lamp	A	B	C	D
MS1E1-PV-SQ-TL	PAR16	5-15/16" 151mm	6-9/16" 167mm	8-3/4" 222mm	4" 102mm
MS1F1-PV-SQ-TL	PAR20	6-15/16" 176mm	7-9/16" 192mm	8-3/4" 222mm	5" 127mm
MS1G1-PV-SQ-TL	PAR30	8" 203mm	8-5/8" 219mm	8-3/4" 222mm	6-1/16" 154mm
MS1J1-PV-SQ-TL	PAR38	9-15/16" 252mm	10-9/16" 268mm	8-3/4" 222mm	8" 203mm

**Two Lamp PAR20 PV Surface Mounted**



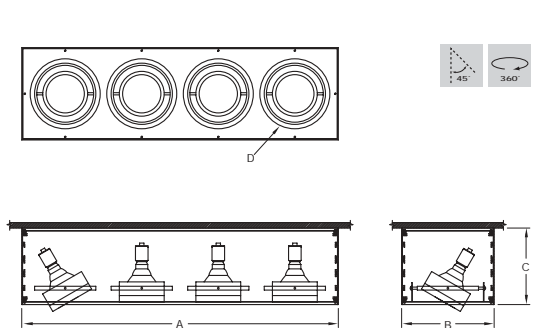
Model	Lamp	A	B	C	D
MS2E1-PV-REC-TL	PAR16	10-11/16" 271mm	6-9/16" 167mm	8-3/4" 222mm	4" 102mm
MS2F1-PV-REC-TL	PAR20	12-11/16" 322mm	7-9/16" 192mm	8-3/4" 222mm	5" 127mm
MS2G1-PV-REC-TL	PAR30	14-13/16" 376mm	8-5/8" 219mm	8-3/4" 222mm	6 1/16" 154mm
MS2J1-PV-REC-TL	PAR38	18-11/16" 475mm	10-9/16" 268mm	8-3/4" 222mm	8" 203mm

**Three Lamp PAR30 PV Surface Mounted**



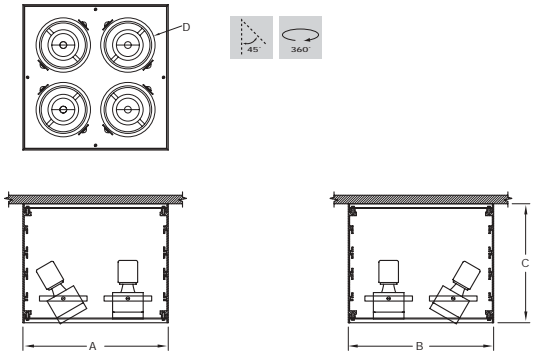
Model	Lamp	A	B	C	D
MS3E1-PV-REC-TL	PAR16	15-7/16" 392mm	6-9/16" 167mm	8-3/4" 222mm	4" 102mm
MS3F1-PV-REC-TL	PAR20	18-7/16" 468mm	7-9/16" 192mm	8-3/4" 222mm	5" 127mm
MS3G1-PV-REC-TL	PAR30	21-5/8" 549mm	8-5/8" 219mm	8-3/4" 222mm	6 1/16" 154mm
MS3J1-PV-REC-TL	PAR38	27-7/16" 697mm	10-9/16" 268mm	8-3/4" 222mm	8" 203mm

**Four Lamp PAR38 PV Surface Mounted**



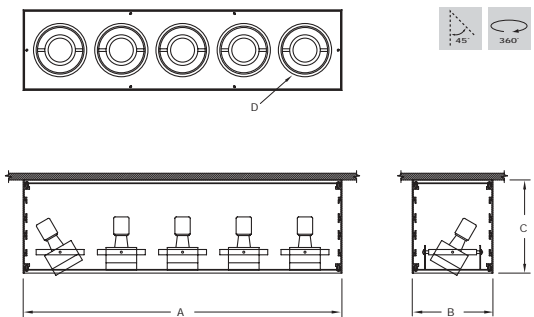
Model	Lamp	A	B	C	D
MS4E1-PV-REC-TL	PAR16	20-3/16" 513mm	6-9/16" 167mm	8-3/4" 222mm	4" 102mm
MS4F1-PV-REC-TL	PAR20	24-3/16" 614mm	7-9/16" 192mm	8-3/4" 222mm	5" 127mm
MS4G1-PV-REC-TL	PAR30	28-7/16" 722mm	8-5/8" 219mm	8-3/4" 222mm	6 1/16" 154mm
MS4J1-PV-REC-TL	PAR38	36-3/16" 919mm	10-9/16" 268mm	8-3/4" 222mm	8" 203mm

**Four Lamp Square PAR16 PV Surface Mounted**



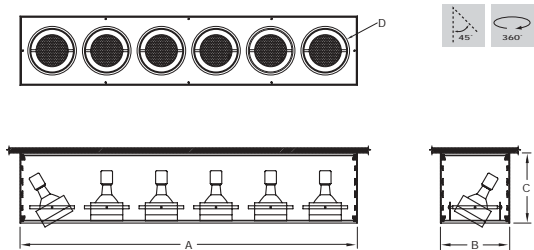
Model	Lamp	A	B	C	D
MS4E1-PV-SQ-TL	PAR16	10-11/16" 271mm	10-11/16" 271mm	8-3/4" 222mm	4" 102mm
MS4F1-PV-SQ-TL	PAR20	12-11/16" 322mm	12-11/16" 322mm	8-3/4" 222mm	5" 127mm
MS4G1-P-SQ-TL	PAR30	14-13/16" 376mm	14-13/16" 376mm	8-3/4" 222mm	6 1/16" 154mm
MS4J1-PV-SQ-TL	PAR38	18-11/16" 475mm	18-11/16" 475mm	8-3/4" 222mm	8" 203mm

**Five Lamp PAR20 PV Surface Mounted**



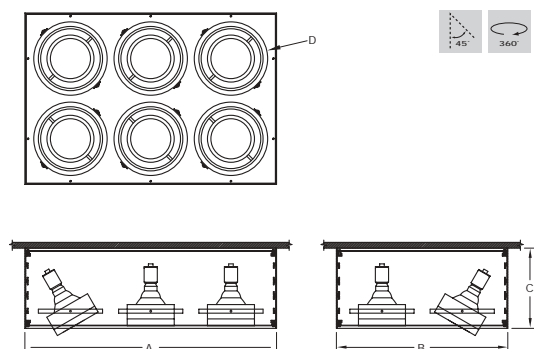
Model	Lamp	A	B	C	D
MS5E1-PV-REC-TL	PAR16	24-15/16" 633mm	6-9/16" 167mm	8-3/4" 222mm	4" 102mm
MS5F1-PV-REC-TL	PAR20	29-15/16" 760mm	7-9/16" 192mm	8-3/4" 222mm	5" 127mm
MS5G1-PV-REC-TL	PAR30	35-1/4" 895mm	8-5/8" 219mm	8-3/4" 222mm	6 1/16" 154mm
MS5J1-PV-REC-TL	PAR38	44-15/16" 1141mm	10-9/16" 268mm	8-3/4" 222mm	8" 203mm

**Six Lamp PAR30 PV Surface Mounted**



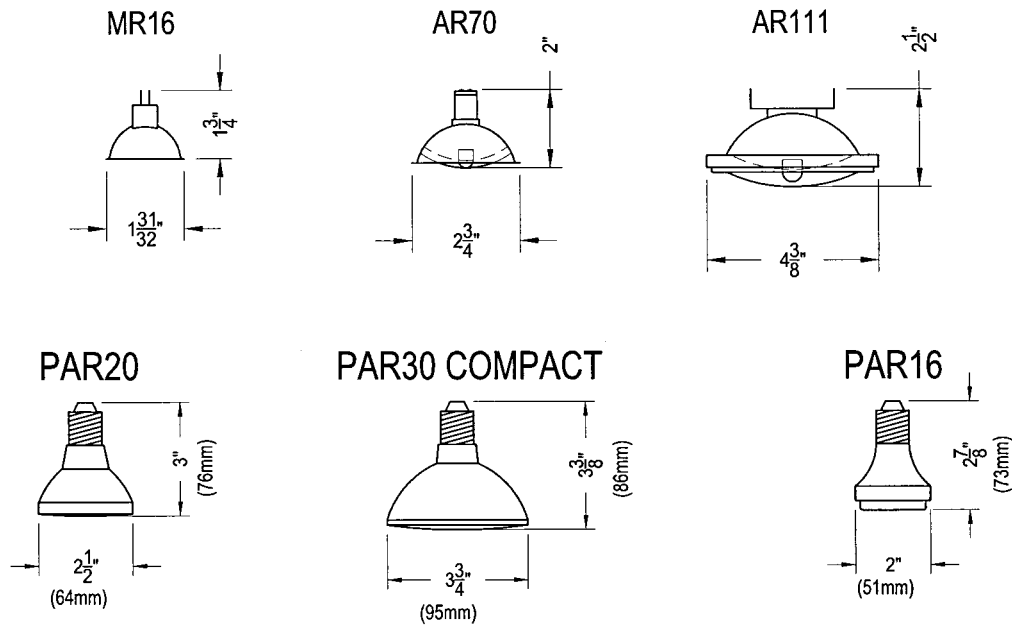
Model	Lamp	A	B	C	D
MS6E1-PV-REC-TL	PAR16	29-11/16" 754mm	6-9/16" 167mm	8-3/4" 222mm	4" 102mm
MS6F1-PV-REC-TL	PAR20	35-11/16" 906mm	7-9/16" 192mm	8-3/4" 222mm	5" 127mm
MS6G1-PV-REC-TL	PAR30	42-1/16" 1068mm	8-5/8" 219mm	8-3/4" 222mm	6 1/16" 154mm
MS6J1-PV-REC-TL	PAR38	53-11/16" 1364mm	10-9/16" 268mm	8-3/4" 222mm	8" 203mm

**Six Lamp Square PAR38 PV Surface Mounted**



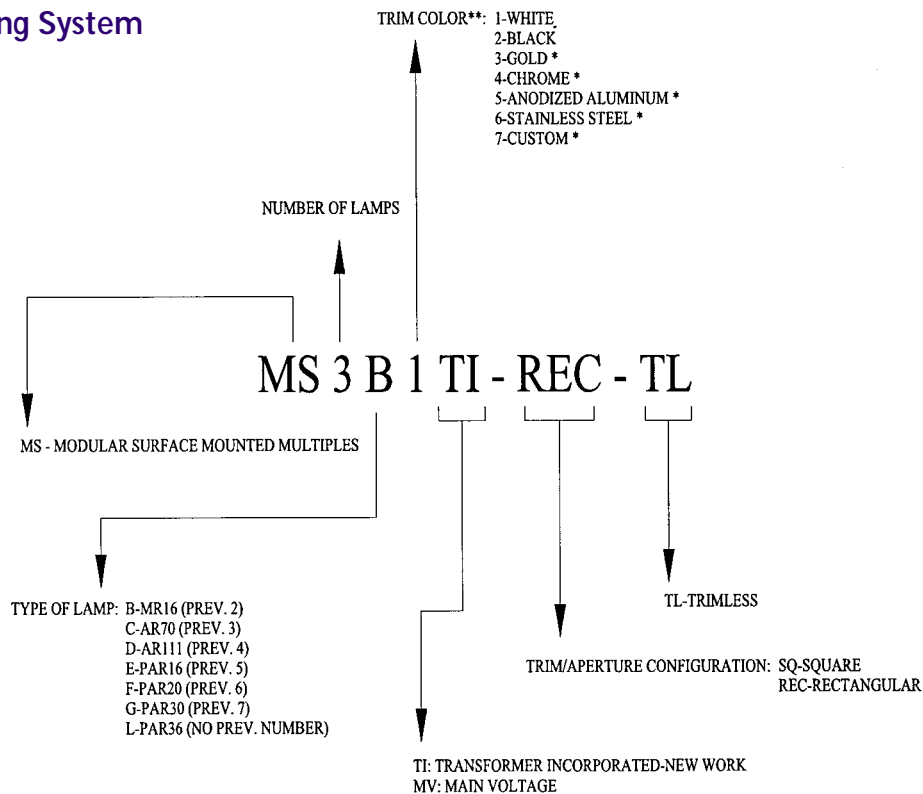
Model	Lamp	A	B	C	D
MS5E1-PV-RSQ-TL	PAR16	15-7/16" 392mm	10-11/16" 271mm	8-3/4" 222mm	4" 102mm
MS5F1-PV-RSQ-TL	PAR20	18-7/16" 468mm	12-11/16" 322mm	8-3/4" 222mm	5" 127mm
MS5G1-PV-RSQ-TL	PAR30	21-5/8" 549mm	14-13/16" 376mm	8-3/4" 222mm	6 1/16" 154mm
MS5J1-PV-RSQ-TL	PAR38	27-7/16" 697mm	18-11/16" 475mm	8-3/4" 222mm	8" 203mm

Lamps



LAMP SIZES MAY VARY ACCORDING TO MANUFACTURER

Model Numbering System



NOTE:  
CUSTOM LAMP CONFIGURATIONS / MIXED LAMP  
SOURCES WITHIN THE SAME FIXTURE TO BE  
BY DESCRIPTION ONLY - CONSULT FACTORY  
WITH REQUIREMENTS.

\* CONSULT FACTORY FOR AVAILABILITY  
\*\* NOTE COLOR OF FACE PLATE

**Modular International Inc.**

3941 California Avenue

Pittsburgh, PA 15212

412 734-9000

412 734-5210 fax

[www.modularinternational.com](http://www.modularinternational.com)